

PAM8403

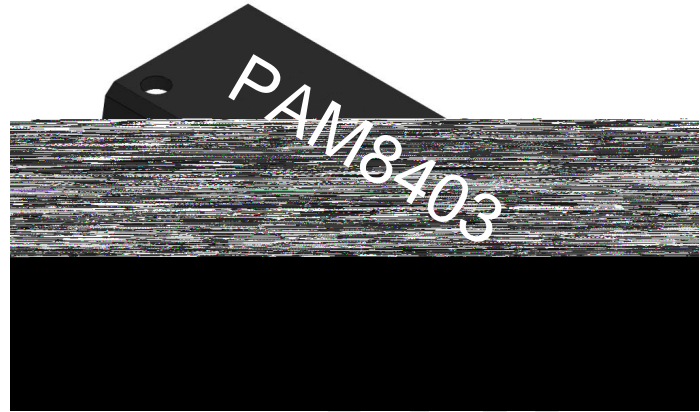
2017 1.0
12



PAM8403

- PAM8403 D
- AB D
- PCB PAM8403 85%
- 3W

PAM8403



PAM8403

- D EMI
- 4 5V 3W PAM84033
- 90%
- THD
- LCD
- DVD
- SOP-16
- 16uA
- 6.3mA

ChipSourceTek

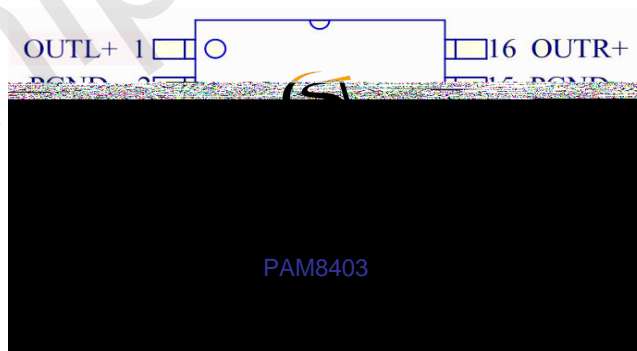


PAM8403 :



1. PAM8403

PAM8403 :

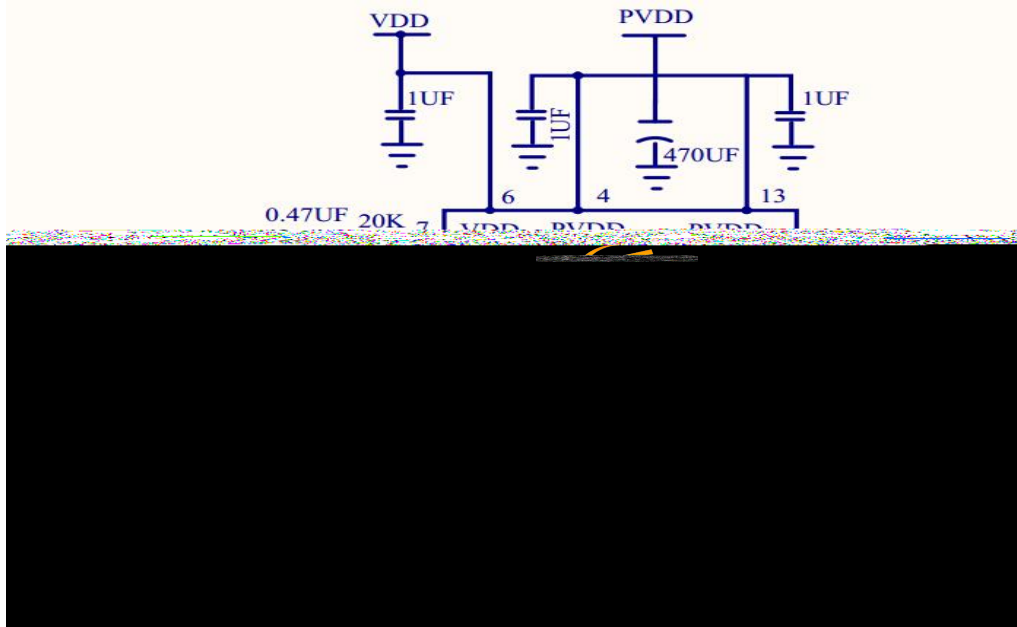


2. PAM8403 -16



PAM8403

:



3. PAM8403

PAM8403

:

		I/O		
1	OUTL+	O		
2,15	PGND	GND		
3	OUTL-	O		
4,13	PVDD	POWER		
5	$\overline{\text{MUTE}}$	I		
6	VDD	POWER		
7	INL	I		
8	VREF	I	VREF	GND
9	NC	NC		
10	INR	I		
11	GND	GND		
12	$\overline{\text{SHDN}}$	I		
14	OUTR-	O		
16	OUTR+	O		



PAM8403 :

$A=25$

VDD	-	-0.3	5.5	V
VI	-	-0.3	VDD+0.3	V
TA	-	-40	85	
TJ	-	-40	125	
TSTG	-	-65	150	
TSLD	5	-	300	

$A=25$

VDD		AVDD,PVDD	2.2	-	5.5	V
VIH	$\overline{\text{SHDN}}$	VDD=5V	1.3	-	-	V
VIL	$\overline{\text{SHDN}}$	VDD=5V	-	-	0.4	
VIH	$\overline{\text{MUTE}}$	VDD=5V	1.3	-	-	V
VIL	$\overline{\text{MUTE}}$	VDD=5V	-	-	0.4	



PAM8403

:

